

SUBMERSIBLE GRINDER PUMP

Series: BGP-DS
3, 5 & 7.5 HP
3500 RPM
Discharge: 2"



DISCHARGE
2" NPT, vertical.

LIQUID TEMPERATURE
104 °F (40 °C).

VOLUTE
Cast iron ASTM A-48, class 30.

MOTOR HOUSING
Cast iron ASTM A-48, class 30.

SEAL PLATE
Cast iron ASTM A-48, class 30.

IMPELLER
Design: 10 vanes, vortex with vanes on back side, dynamically balanced.
Material: Cast iron ASTM A-48, class 30.
Radial cutter: hardened 440C, stainless steel, hardness Rockwell C-55.
Shredding ring: hardened 440C, stainless steel, hardness Rockwell C-55.

SHAFT
420 series stainless steel.

SQUARE RINGS
Buna-N.

HARDWARE
Stainless steel.

PAINT
Air dry enamel, water based.

SEAL
Design: double, mechanical, oil lubricated.
Material: silicon carbide outboard, carbon ceramic inboard, Buna-N elastomer and stainless steel hardware.

CORD ENTRY
40 ft of neoprene cord, sealed against moisture.

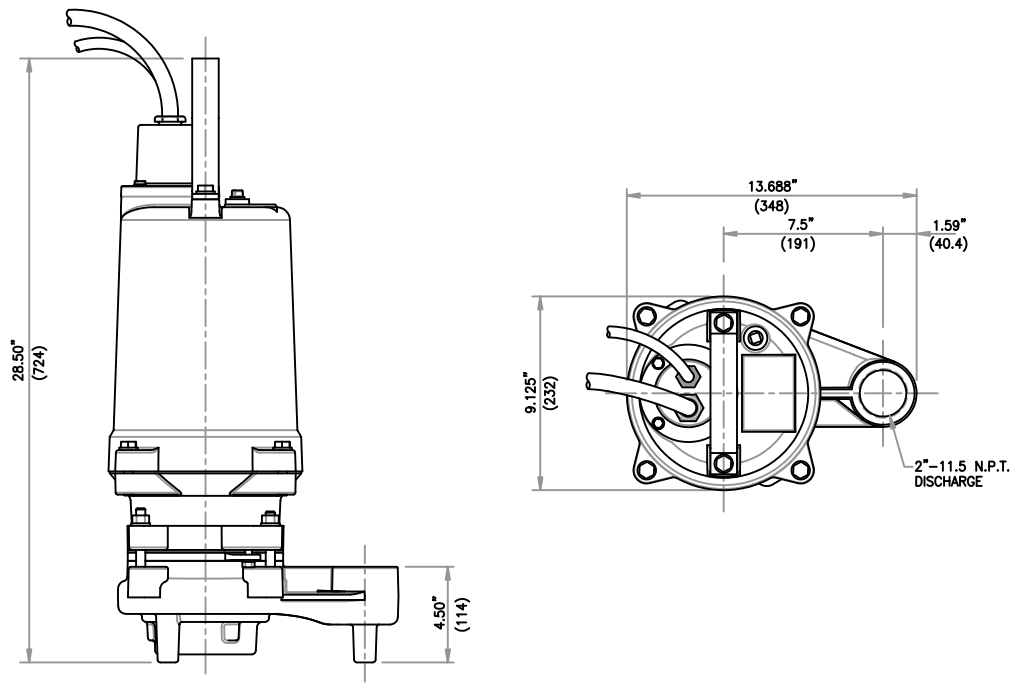
BEARINGS
Ball, single row, oil lubricated.

MOTOR
Single phase: NEMA L, capacitor start/run (to be located in control panel), 230 volts, 60 Hz, 3500 RPM, oil filled. Class F insulation.
Three phase: NEMA B, 230 & 460 volts, 60 Hz, 3500 RPM, oil filled. Class F insulation.

Requires overload protection to be included in control panel.

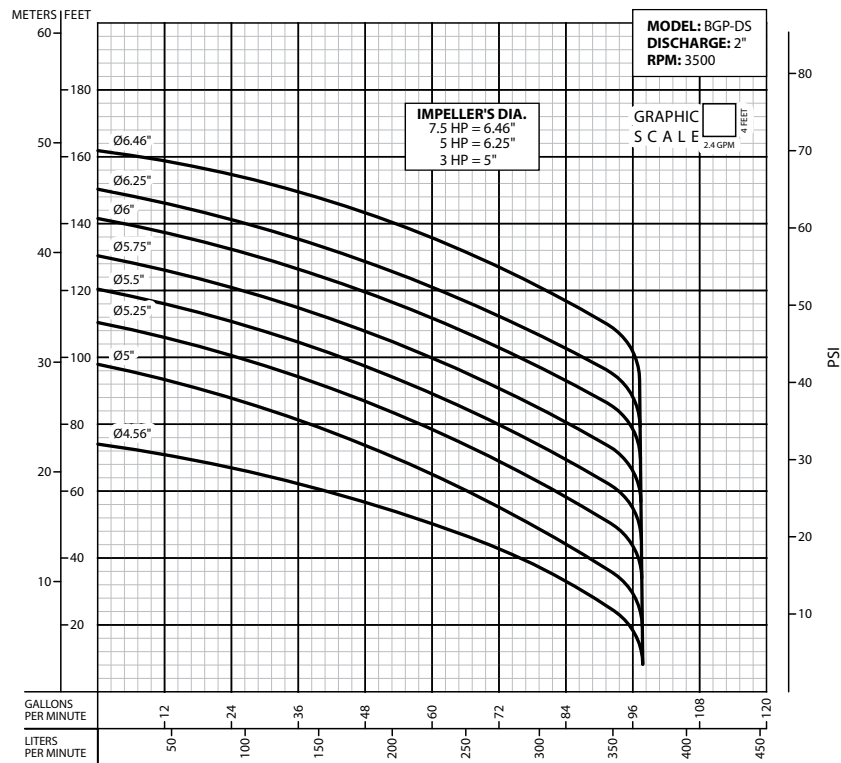
MOISTURE SENSOR
Normally open (N/O) included.

OPTIONAL EQUIPMENT
Additional cord, tungsten seal, slide rail coupling (SRC-2).



| MODEL | PART No. | HP | VOLTS | PHASE | RPM (nominal) | MAX AMPS | LOCKED ROTOR AMPS | NEMA CODE | CORD SIZE | CORD TYPE | WEIGHT (pounds) |
|----------|----------|-----|-------|-------|---------------|----------|-------------------|-----------|-----------|-----------|-----------------|
| BGP302DS | 62170605 | 3 | 230 | 1 | 3500 | 23 | 75 | G | 10/4C | SO | 188 |
| BGP303DS | 62170606 | 3 | 230 | 3 | 3500 | 13 | 56.6 | K | 10/4C | SO | 188 |
| BGP304DS | 62170607 | 3 | 460 | 3 | 3500 | 6.5 | 28.3 | K | 10/4C | SO | 188 |
| BGP502DS | 62170608 | 5 | 230 | 1 | 3500 | 39 | 117 | H | 8/4C | SO | 199 |
| BGP503DS | 62170609 | 5 | 230 | 3 | 3500 | 20 | 81.4 | L | 10/4C | SO | 199 |
| BGP504DS | 62170610 | 5 | 460 | 3 | 3500 | 10 | 40.7 | L | 10/4C | SO | 199 |
| BGP753DS | 62170611 | 7.5 | 230 | 3 | 3500 | 24 | 102 | J | 10/4C | SO | 203 |
| BGP754DS | 62170612 | 7.5 | 460 | 3 | 3500 | 12 | 51 | J | 10/4C | SO | 203 |

The moisture cord and/or temperature cord is size 18/5, type SO, Ø0.485", for all models.



IMPORTANT!

1. Never use this pump to handle explosive liquids.
2. This pump is not approved to be used in swimming pools, recreational installations or any application where human contact may be common.
3. Pump may be operated "dry" for extended periods without damage to motor and/or seals.
4. Testing is performed with water specific gravity of 1.0 @ 68 °F (20 °C); other fluids may vary performance.