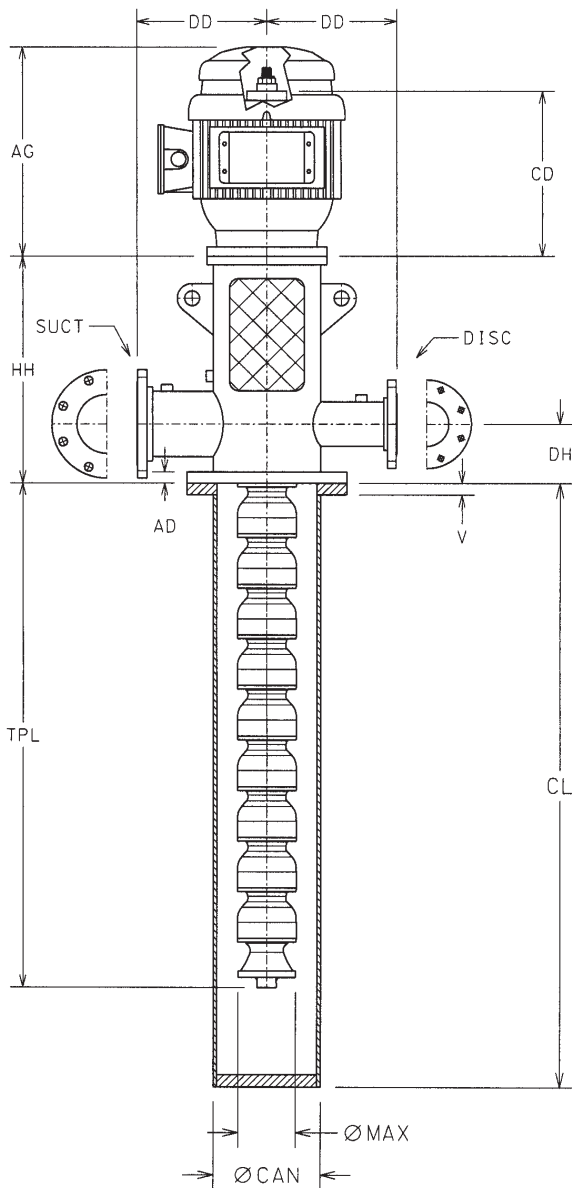
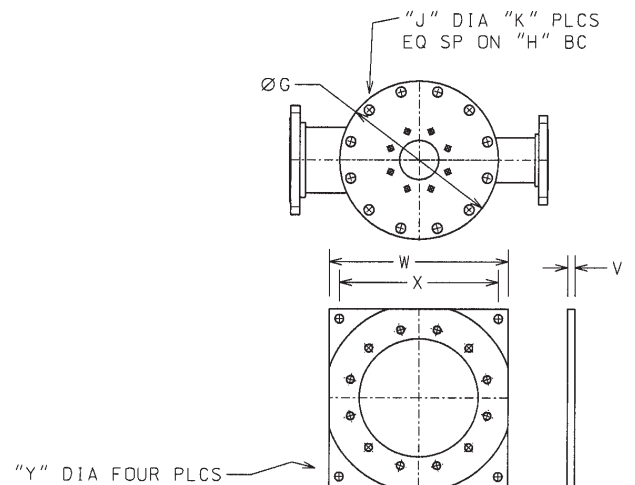


# Outline Type "VIC-FTCM" 200.G.09

## "T" FABRICATED HEAD, CLOSE-COUPLED



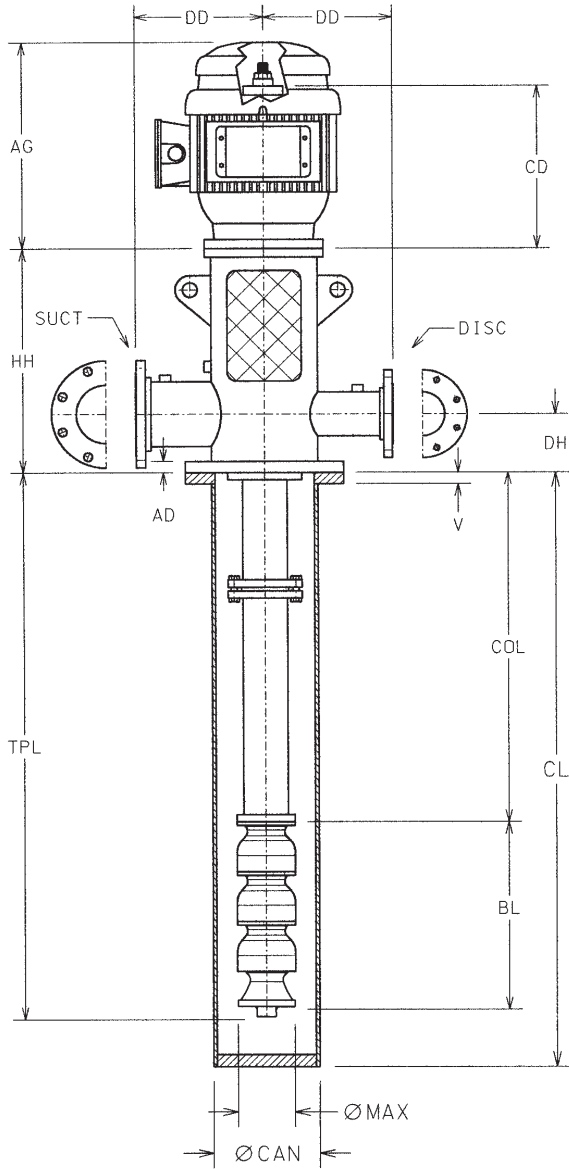
- |             |             |
|-------------|-------------|
| AD: _____   | HH: _____   |
| AG: _____   | J: _____    |
| BD: _____   | K: _____    |
| CAN: _____  | MAX: _____  |
| CD: _____   | SL: _____   |
| CL: _____   | SUCT: _____ |
| COL: _____  | TPL: _____  |
| DD: _____   | V: _____    |
| DH: _____   | W: _____    |
| DISC: _____ | X: _____    |
| G: _____    | Y: _____    |
| H: _____    | Z: _____    |



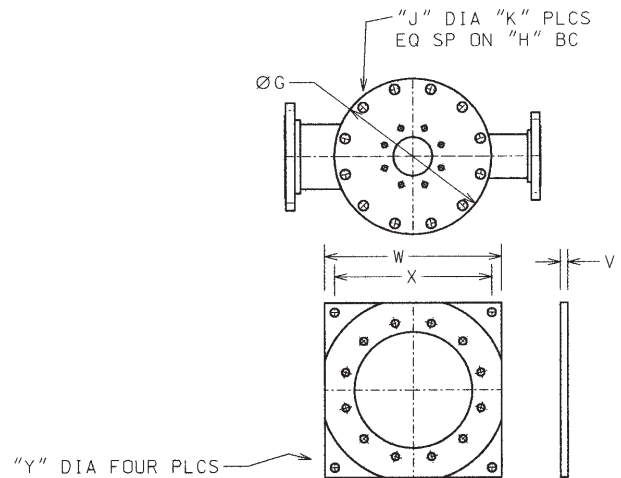
Quote No.:	_____
Customer:	_____
Customer P/O:	_____
Project:	_____
Item:	_____
Date:	_____
Quantity:	_____
By:	_____

# Outline Type "VIC-FTFM" 200.G.10

## "T" FABRICATED HEAD, FLANGED COLUMN



- |             |             |
|-------------|-------------|
| AD: _____   | HH: _____   |
| AG: _____   | J: _____    |
| BD: _____   | K: _____    |
| BL: _____   | MAX: _____  |
| CAN: _____  | SL: _____   |
| CD: _____   | SUCT: _____ |
| CL: _____   | TPL: _____  |
| COL: _____  | V: _____    |
| DD: _____   | W: _____    |
| DH: _____   | X: _____    |
| DISC: _____ | Y: _____    |
| G: _____    | Z: _____    |
| H: _____    |             |



Quote No.:	_____
Customer:	_____
Customer P/O:	_____
Project:	_____
Item:	_____
Date:	_____
Quantity:	_____
By:	_____

**Xylem Inc.**  
www.xylem.com/brands/gouldswatertechnology

Goulds is a registered trademark of Goulds Pumps, Inc. and is used under license.  
© 2012 Xylem Inc. D200G09 January 2009

