



FEATURES

- Completely assembled basin kit for 2" connection
- Simplex and duplex configurations available
- Conery base elbow disconnects 2"
- Easy pump installation
- Valves and piping complete
- True Union isolation valve
- Stainless steel guide rails
- Installed stainless steel float bracket
- Inlet hub shipped loose

Wastewater Package System

BILL OF MATERIALS FOR BASIN KITS

- Basin in specified size
- Studs for slide rail attachment
- 2" stainless steel discharge coupling
- Nylon electric coupling
- 4" inlet hub - shipped loose
- Conery base elbow system(s)
- Stainless steel upper guide rail bracket
- Conery stainless steel intermediate guide rail bracket (used on 84" and deeper)
- 10' stainless steel lift-out chain package(s)
- 1" stainless steel guide rail
- 2" PVC Schedule 80 discharge pipe
- 2" PVC True Union ball valve
- 2" PVC ball check valve
- 2" PVC Schedule 80 elbow
- 2" PVC Schedule 80 union
- 2" PVC Schedule 80 reducer bushing (thread by slip)
- Stainless steel extension handle bracket
- Basin lifting lugs
- Stainless steel cross braces for upper guide rail bracket and intermediate bracket
- Stainless steel float bracket
- Stainless steel nuts, bolts and washers
- 3 (simplex) or 4 (duplex) mechanical floats and weights
- Junction box NEMA 4X
- Steel hatch cover

BASIN KIT ORDER NUMBERS

SIMPLEX

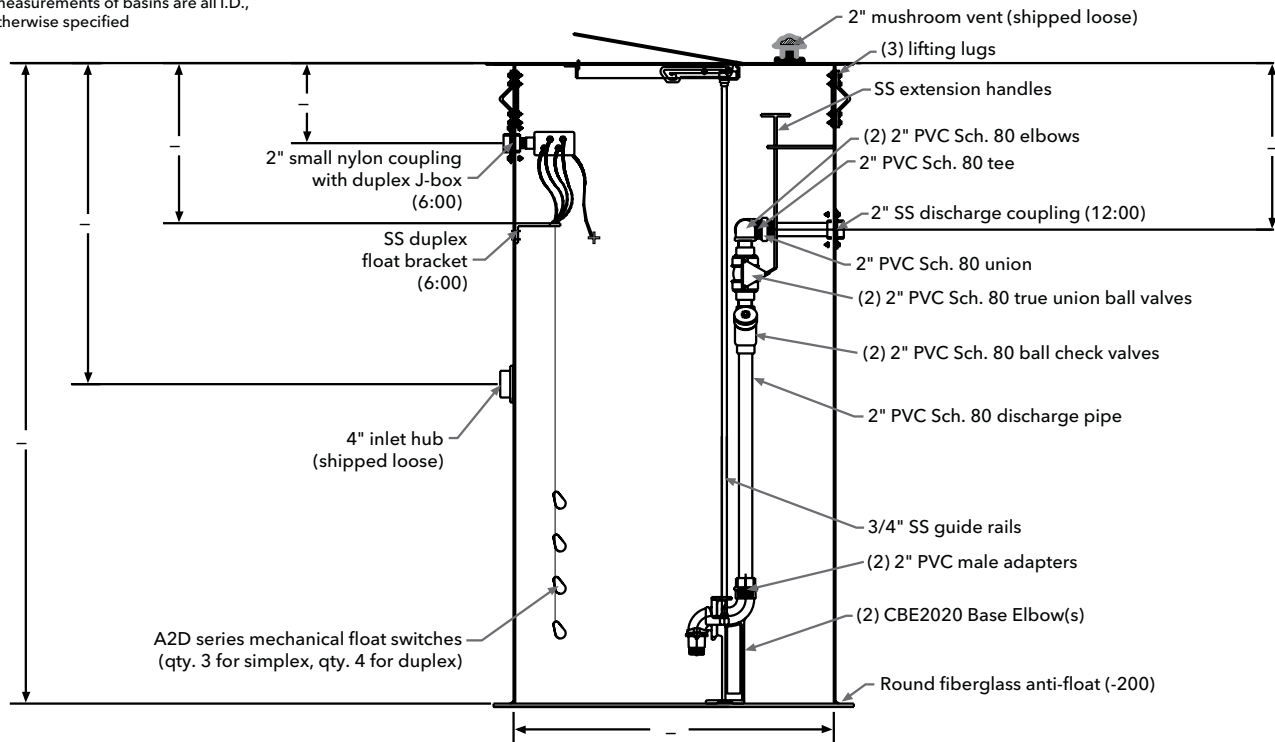
Order No.	Discharge Size	Standard Discharge Depth	Optional Discharge Depths	D X H Basin Size
SIM304812LS2	2"	12"	N/A	30 x 48
SIM306024LS2	2"	24"	N/A	30 x 60
SIM3072__LS2	2"	36"	24"	30 x 72
SIM3084__LS2	2"	48"	24", 36"	30 x 84
SIM3096__LS2	2"	48"	24", 36", 60"	30 x 96
SIM30108__LS2	2"	48"	24", 36", 60", 72"	30 x 108
SIM30120__LS2	2"	48"	24", 36", 60", 72"	30 x 120

DUPLEX

Order No.	Discharge Size	Standard Discharge Depth	Optional Discharge Depths	D X H Basin Size
DUP364812LS2	2"	12"	N/A	36 x 48
DUP366024LS2	2"	24"	N/A	36 x 60
DUP3672__LS2	2"	36"	24"	36 x 72
DUP3684__LS2	2"	48"	24", 36"	36 x 84
DUP3696__LS2	2"	48"	24", 36", 60"	36 x 96
DUP36108__LS2	2"	48"	24", 36", 60", 72"	36 x 108
DUP36120__LS2	2"	48"	24", 36", 60", 72"	36 x 120
DUP484812LS	2"	12"	N/A	48 x 48
DUP486024LS2	2"	24"	N/A	48 x 60
DUP4872__LS2	2"	36"	24"	48 x 72
DUP4884__LS2	2"	48"	24", 36"	48 x 84
DUP4896__LS2	2"	48"	24", 36", 60"	48 x 96
DUP48108__LS2	2"	48"	24", 36", 60", 72"	48 x 108
DUP48120__LS2	2"	48"	24", 36", 60", 72"	48 x 120

BASIN KIT DIMENSIONAL

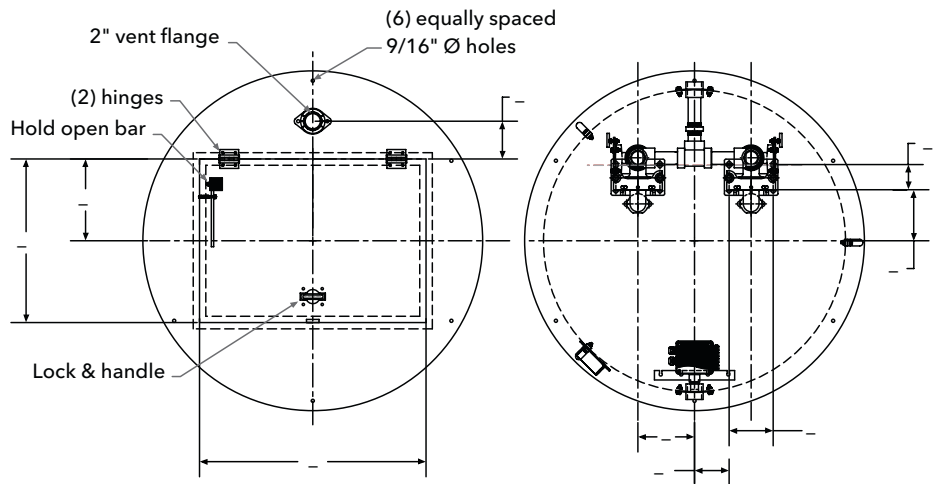
Note: measurements of basins are all I.D., if not otherwise specified



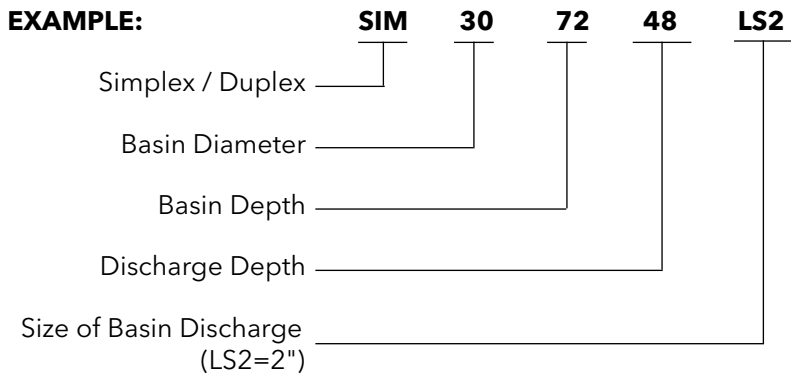
BASIN KIT TOP VIEW

Note: measurements of basins are all I.D., if not otherwise specified.

Sample drawing



BASIN KIT NOMENCLATURE



Xylem |'zīləm|

- 1) The tissue in plants that brings water upward from the roots;
- 2) a leading global water technology company.

We're a global team unified in a common purpose: creating advanced technology solutions to the world's water challenges. Developing new technologies that will improve the way water is used, conserved, and re-used in the future is central to our work. Our products and services move, treat, analyze, monitor and return water to the environment, in public utility, industrial, residential and commercial building services settings. Xylem also provides a leading portfolio of smart metering, network technologies and advanced analytics solutions for water, electric and gas utilities. In more than 150 countries, we have strong, long-standing relationships with customers who know us for our powerful combination of leading product brands and applications expertise with a strong focus on developing comprehensive, sustainable solutions.

For more information on how Xylem can help you, go to www.xylem.com



Xylem Inc.
2881 East Bayard Street Ext., Suite A
Seneca Falls, NY 13148
Phone: (866) 325-4210
Fax: (888) 322-5877
www.xylem.com/centripro