



MODELS A10-12 (1¼"), A10-2015 (1½") AND A10-20 (2")

Provide an easy means of removing pump from a wet-well by utilizing a quick disconnect and guide rail system.

Connect directly to 1¼", 1½" or 2" vertical discharge Effluent, Wastewater and Grinder pumps.

Adaptable to 1¼", 1½" and 2" threaded, horizontal discharge pumps by using a street elbow.

Two piece 96" long fabricated SS rail assembly (2 easily coupled 48" long pieces for shipping convenience and ease of handling).

Corrosion resistant design

STANDARD GUIDE RAIL COMPONENTS

SS Guide rails, base, cross braces and pump brackets.

SS Lifting cable, 96" long x 3/16" cable.

Brass quick disconnect with o-ring seal.

Schedule 40 galvanized discharge pipe.

Optional stainless steel pipe nipples are available (contact factory).

Cast iron check valve with BUNA ball.

SS Tee handle for shut-off valve is supplied (it is for use with the optional discharge pipe assemblies).

GUIDE RAIL SYSTEMS AND DISCHARGE PIPE ASSEMBLIES

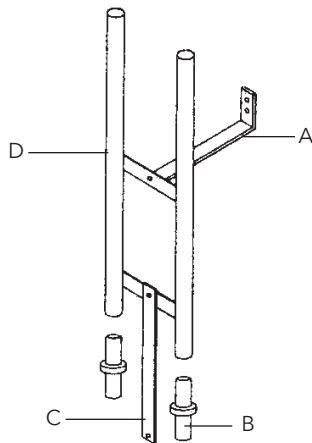
STAINLESS STEEL

ORDER NUMBERS / QUANTITY REQUIRED

Slide Rail Order Number	Pump Discharge	Discharge Size (Inches)	Standard Discharge From Bottom
A10-12	1¼"	1¼"	36"
A10-2015	1½"	2"	36"
A10-20	2"	2"	36"

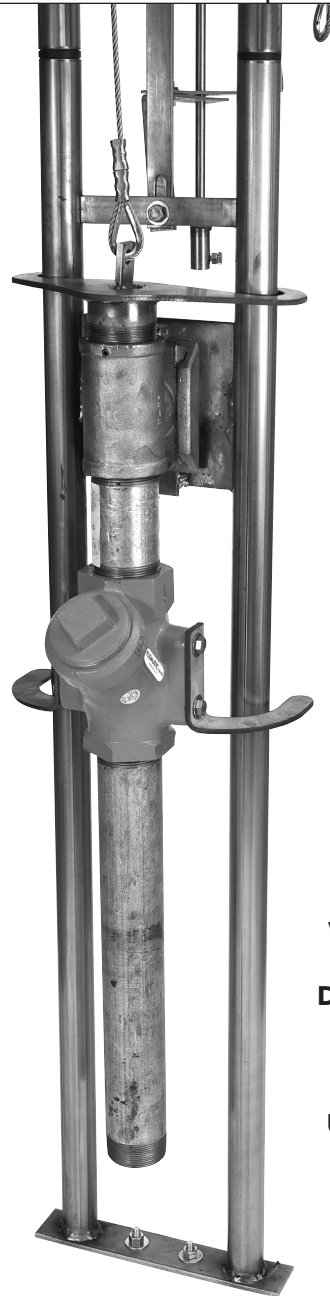
EXTENSION KITS INCLUDE:

	Quantity	Item #
• Stainless steel wall bracket	1	A
• Guide rail connectors	2	B
• Stainless steel attachment brace	1	C
• Stainless steel rail extension	1	D
• Stainless steel nuts, bolts and washers		
• Cable extension - not shown		



A10-2024EXT

Order Number	Length
A10-2012 EXT	12"
A10-2024 EXT	24"
A10-2048 EXT	48"



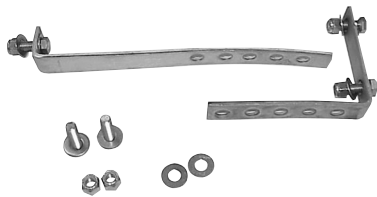
View of Lower Guide Rail showing Brass Disconnect, Ball Check Valve/Lower Pump Bracket Assembly, Lifting Cable and Upper Pump Bracket.

SYSTEM COMPONENTS AND DIMENSION CHART FOR A10-12, A10-2015 AND A10-20

Item No.	Dimension	Descriptions and Quantities
1	3/8" x 96" long	Stainless steel lifting cable
2	47" long	Stainless steel valve extension handle
3	11" min. - 14" max.	Adjustable stainless steel wall (support) brackets (qty. 2) includes (5) 3/8" SS bolts, nuts and washers
4	1 1/2" O.D.	Stainless steel guide rail tubing, 304 SS, 16 gauge
5	N/A	Stainless steel upper pump/guide bracket
6	1 1/4" (A10-12), 2" (A10-2015 & A10-20)	1 1/4" Brass quick disconnect assembly, 2" Brass quick disconnect assembly
		Discharge is 36" up from base to discharge centerline
7	1 1/4" (A10-12), 2" (A10-2015 & A10-20)	Cast iron ball check valve and lower pump bracket assembly with BUNA ball and clean-out port
8	1 1/4" (A10-12), 1 1/2" x 2" (A10-2015), 2" (A10-20)	Schedule 40 galvanized discharge pipe (SS discharge pipes are available as a special order option)
9	11" wide (2) 1/2" holes	Base or stud mounting plate
10	11 1/2" long, 1/2" hole and 1/2" x 1 1/2" slot	SS attachment brace - connects the (2) 48" guide rail halves, includes (2) 3/8" SS bolts, nuts and washers
11	N/A	Plastic guide rail connectors (2) fit inside SS rails
12	18 1/2" - 19" spacing	Stainless steel intermediate braces (3) on upper rail assembly
13	4 1/2" - 5 1/2" end to C/L	Upper and lower cross brace dimensions from end of rail



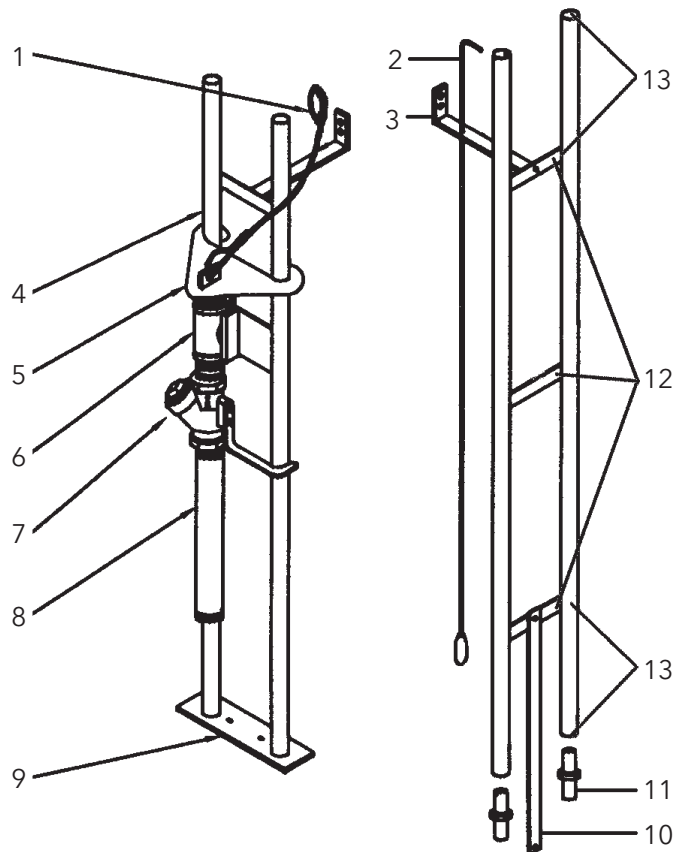
Stainless Steel Attachment Brace



Stainless Steel Wall Bracket Assembly



Valve End of Shut-Off Valve Handle



DISCHARGE PIPE ASSEMBLIES H12S, H20S, H12D, H20D

FEATURES

- Simplex discharge piping includes a union and a shut-off valve:
H12S (1¼") discharge - use with **A10-12**;
H20S (2") discharge - use with **A10-2015** or **A10-20**.
- Duplex discharge piping includes (2) unions, (2) shut-off valves and a tee assembly; **H12D** (1¼") discharge - use with **A10-12**; **H20D** (2") discharge - use with **A10-2015** or **A10-20**.

Items in bold type are product Order Numbers.

All pipe and fitting galvanized steel. Contact factory for stainless steel option.

Simplex Discharge Assemblies H12S and H20S

Assembled kits contain a brass gate valve, union and galvanized pipe nipples. Ready for connection to the appropriate guide rail assembly.

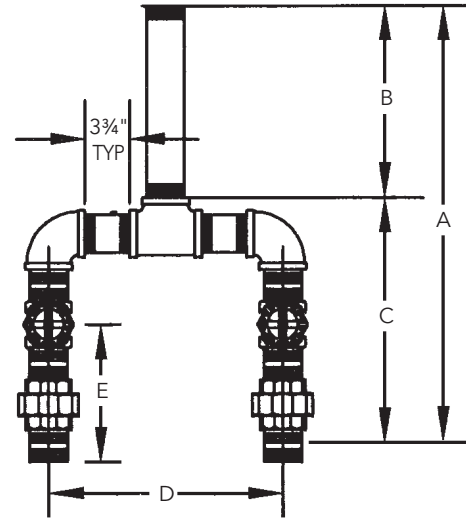
Duplex Discharge Piping Assemblies H12D and H20D

Assembled kits contain (2) brass gate valves, (2) unions, a tee and (2) elbows. Ready for connection to the appropriate guide rail (2) assemblies.

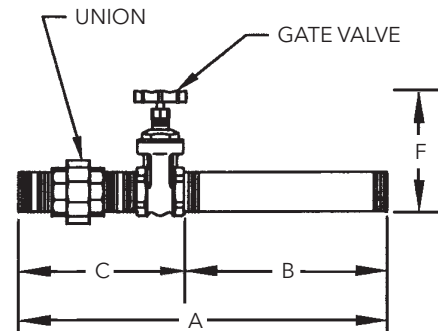
Dimension	Discharge Piping Order Number (dimensions in inches)			
	H12S	H20S	H12D	H20D
A	20	20	24	26
B	12	12	12	12
C	8	8	12	14
D	NA	NA	14	18
E	NA	NA	6	7
F	5.5	8	5.5	8

* Stainless steel option available. Consult factory.

Discharge Pipe	Rail System	Configuration
H12S	A10-12	Simplex
H12D	A10-12	Duplex
H20S	A10-15, 20	Simplex
H20D	A10-15, 20	Duplex



Duplex Discharge Kit



Simplex Discharge Kit



Xylem, Inc.
 2881 East Bayard Street Ext., Suite A
 Seneca Falls, NY 13148
 Phone: (866) 325-4210
 Fax: (888) 322-5877
www.xylem.com/brands/centripro

CentriPro is a trademark of Xylem Inc. or one of its subsidiaries.
 Oil Smart is a registered trademark of See Water Inc.
 © 2012 Xylem, Inc. BCPSSGR R6 April 2012