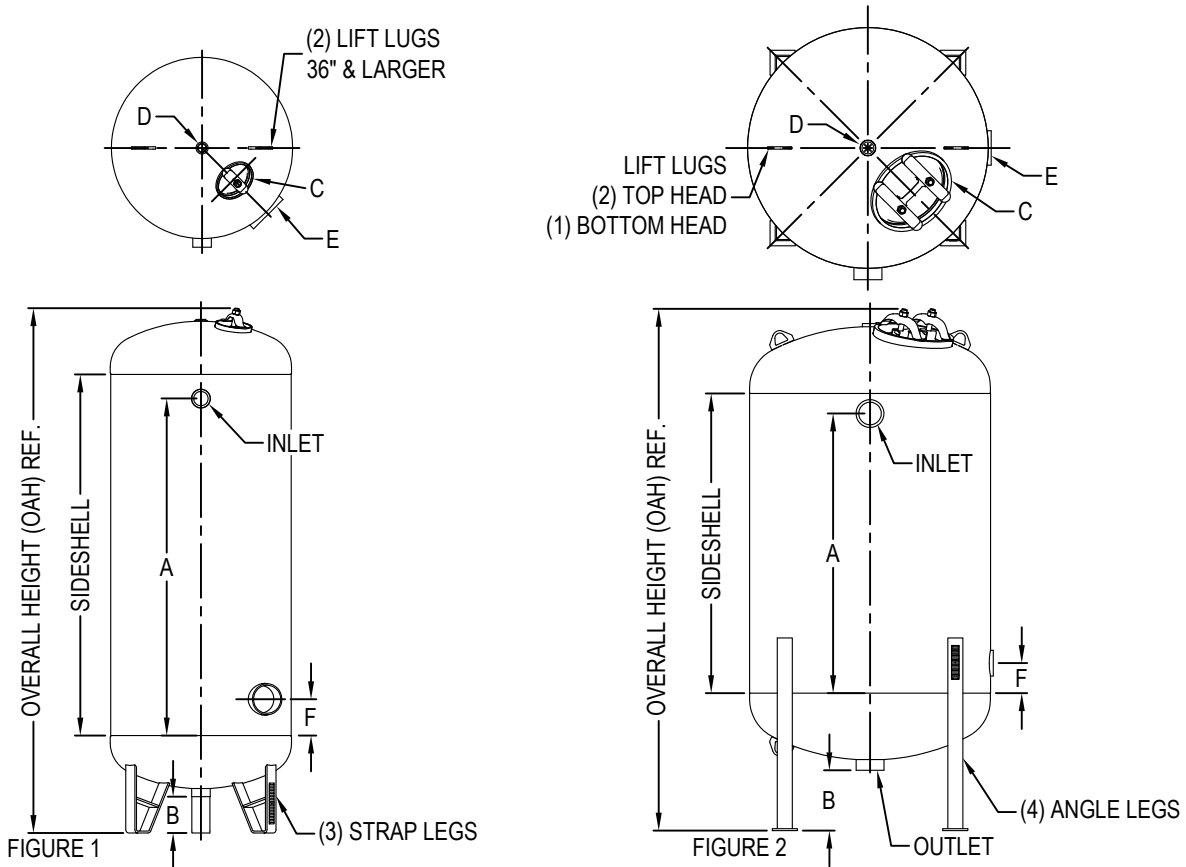




P.O.Box 338, Kendallville, IN 46755

Phone: 800-348-2514 | Fax: 800-348-1514 | Email: quote@quicktanks.com | Web: www.quicktanks.com

ASME CODE (SECT. VIII, DIV.1 "U" STAMP) QUICK WATER TREATMENT (QWTC) TANKS  
 NSF/ANSI STANDARD 61 CERTIFIED LINING & FINISH COATED IN SAFETY BLUE EPOXY  
 100 PSIG WORKING PRESSURE  
 (HIGHER PRESSURES & LEFT HAND MODELS ALSO AVAILABLE - CALL FOR DETAILS)



DIMENSIONAL CHART

| DIA. | SIDE SHELL | INLET / OUTLET | FIG. | A       | B   | C         | D      | E       | F  | OAH  | VOLUME (US GAL.) | HEAD VOLUME INCL. SF* (cu. ft.) | MODEL #      |
|------|------------|----------------|------|---------|-----|-----------|--------|---------|----|------|------------------|---------------------------------|--------------|
| 20"  | 54"        | 2" NPT         | 1    | 50"     | 6"  | 4" X 6"   | 1" NPT | 4" X 6" | 6" | 75"  | 83               | 0.8                             | QWTC2054LC   |
|      | 60"        |                |      | 81"     |     |           |        |         |    | 91   | QWTC2060LC       |                                 |              |
| 24"  | 54"        | 2" NPT         | 1    | 50"     | 6"  | 4" X 6"   | 1" NPT | 4" X 6" | 6" | 77"  | 122              | 1.3                             | QWTC2454LC   |
|      | 60"        |                |      | 83"     |     |           |        |         |    | 133  | QWTC2460LC       |                                 |              |
| 30"  | 54"        | 2" NPT         | 1    | 50"     | 6"  | 4" X 6"   | 1" NPT | 4" X 6" | 6" | 81"  | 198              | 2.6                             | QWTC3054LC   |
|      | 60"        |                |      | 87"     |     |           |        |         |    | 216  | QWTC3060LC       |                                 |              |
| 30"  | 54"        | 3" NPT         | 1    | 50"     | 9"  | 4" X 6"   | 1" NPT | 6" X 8" | 8" | 84"  | 198              | 2.6                             | QWTC3054LC-3 |
|      | 60"        |                |      | 90"     |     |           |        |         |    | 216  | QWTC3060LC-3     |                                 |              |
|      | 60"        |                |      | 95"     |     |           |        |         |    | 321  | QWTC3660LC       |                                 |              |
| 36"  | 60"        | 3" NPT         | 1    | 55-3/4" | 9"  | 12" X 16" | 1" NPT | 6" X 8" | 7" | 107" | 374              | 4.6                             | QWTC3672LC   |
|      | 72"        |                |      | 107"    |     |           |        |         |    | 374  | QWTC3672LC       |                                 |              |
|      | 60"        |                |      | 97"     |     |           |        |         |    | 452  | QWTC4260LC       |                                 |              |
| 42"  | 60"        | 3" NPT         | 1    | 55-3/4" | 9"  | 12" X 16" | 1" NPT | 6" X 8" | 7" | 109" | 523              | 7.2                             | QWTC4272LC   |
|      | 72"        |                |      | 109"    |     |           |        |         |    | 523  | QWTC4272LC       |                                 |              |
|      | 60"        |                |      | 104"    |     |           |        |         |    | 601  | QWTC4860LC       |                                 |              |
| 48"  | 60"        | 4" NPT         | 2    | 55-3/4" | 12" | 12" X 16" | 2" NPT | 4" X 6" | 6" | 116" | 694              | 10.2                            | QWTC4872LC   |
|      | 72"        |                |      | 116"    |     |           |        |         |    | 694  | QWTC4872LC       |                                 |              |
|      | 60"        |                |      | 109"    |     |           |        |         |    | 797  | QWTC5460LC       |                                 |              |
| 54"  | 60"        | 4" NPT         | 2    | 55-3/4" | 12" | 12" X 16" | 2" NPT | 4" X 6" | 6" | 121" | 914              | 14.2                            | QWTC5472LC   |
|      | 72"        |                |      | 121"    |     |           |        |         |    | 914  | QWTC5472LC       |                                 |              |
|      | 60"        |                |      | 111"    |     |           |        |         |    | 1006 | QWTC6060LC       |                                 |              |
| 60"  | 60"        | 4" NPT         | 2    | 55-3/4" | 12" | 12" X 16" | 2" NPT | 4" X 6" | 6" | 123" | 1151             | 19.2                            | QWTC6072LC   |
|      | 72"        |                |      | 123"    |     |           |        |         |    | 1151 | QWTC6072LC       |                                 |              |
|      | 60"        |                |      | 115"    |     |           |        |         |    | 1246 | QWTC6660LC       |                                 |              |
| 66"  | 60"        | 4" NPT         | 2    | 55-3/4" | 12" | 12" X 16" | 2" NPT | 4" X 6" | 6" | 127" | 1421             | 25.1                            | QWTC6672LC   |
|      | 72"        |                |      | 127"    |     |           |        |         |    | 1421 | QWTC6672LC       |                                 |              |
|      | 60"        |                |      | 117"    |     |           |        |         |    | 1516 | QWTC7260LC       |                                 |              |
| 72"  | 60"        | 4" NPT         | 2    | 55-3/4" | 12" | 12" X 16" | 2" NPT | 4" X 6" | 6" | 129" | 1724             | 32.2                            | QWTC7272LC   |
|      | 72"        |                |      | 129"    |     |           |        |         |    | 1724 | QWTC7272LC       |                                 |              |