



NOW NSF LISTED!!

*Still Built
in the USA...*



DRINKING WATER
NSF/ANSI 61 & 372

JS+ J5S, J5SH, J7S, J10S, J15S

SHALLOW WELL JET PUMPS - 1/2, 3/4, 1 AND 1 1/2 HP



FEATURES

Compact: Design has an integral shallow well adapter built into the casing, which eliminates the need for a separate shallow well adapter.

Serviceable:

- Back pullout design allows disassembly of pump for service without disturbing piping.
- Two compartment motor for easy access to motor wiring and replaceable components.
- Nozzle clean out plug in pump case.
- Corrosion resistant, engineered plastic tubing and fittings are easily removed for cleaning. Premium O-ring design fittings need only be hand tight to seal.

Impeller: F.D.A. compliant, glass filled engineered composite. Corrosion and abrasion resistant.

Diffuser (Guidevane): Bolt down diffuser provides positive alignment with impeller. Diffuser also has stainless wear ring for extended performance in abrasive conditions. F.D.A. compliant, injection molded, food grade, glass filled engineered composite for durability and abrasion resistance.

Tubing and Fittings: F.D.A. compliant engineered plastic is corrosion and U.V. resistant.

Powered for Continuous Operation: Pump ratings are within the motor manufacturer's recommended working limits. Can be operated continuously without damage.

Corrosion Resistant: Electro-coated paint process is applied inside and out, then baked on.

Protected Mechanical Seal: Special diaphragm design retains water in the casing at all times to ensure the mechanical seal can never run dry.

Excellent Air Handling Ability: After initial priming the pump has the ability to re-prime itself even when air gets into the system. Pumping resumes once the water level rises above the foot valve.

NSF Listed: The first NSF listed jet pumps in the industry. All jet pumps and shallow well components only, deep well components are not listed.

APPLICATIONS

Specifically designed for the following uses:

- Homes
- Cottages
- Booster service

SPECIFICATIONS

Pump:

- Pipe connections: 1 ¼" NPT suction and 1" NPT discharge
- Pressure switch: AS4 preset (30-50 PSI).

Motor:

- NEMA standard
- 60 Hz
- ½ - 1 ½ HP, 115/230 V capacitor start
- Single phase
- 3500 RPM
- Built-in overload with automatic reset
- Stainless steel shaft
- Rotation: clockwise when viewed from motor end
- UL778 listed

Maximum temperature: 140°F.

SYSTEM COMPONENTS

- **Basic Pump Unit:** Includes pump with integral shallow well jet (nozzle and venturi), motor, pressure switch and tubing.

AGENCY LISTINGS



Canadian Standards Association



Underwriters Laboratories®



DRINKING WATER
NSF/ANSI 61 & 372

MODEL INFORMATION

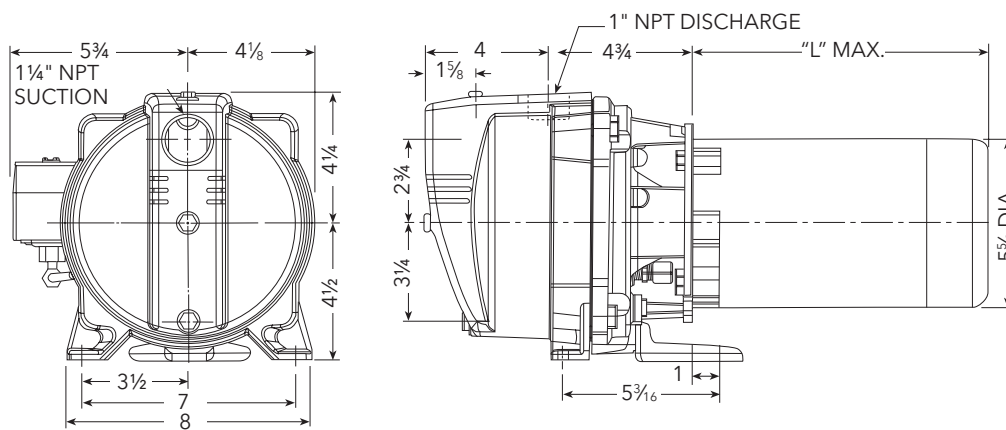
CSA Listed Order No.	U.L. Listed Order No.	HP
J5S	J5SUL	½
J5SH	J5SHUL	½
J7S	J7SUL	¾
J10S	J10SUL	1
J15S	J15SUL	1½

SHALLOW WELL PERFORMANCE RATINGS

HP/Model	½ HP - J5S					½ HP - J5SH					¾ HP - J7S					1 HP - J10S					1½ HP - J15S					
Nozzle	AN017					AN019					AN018					AN018					AN022					
Venturi	AD3332					AD3328					AD3336					AD3339					AD3342					
Total Suction Lift (feet)	Discharge Pressure - PSI					Discharge Pressure - PSI					Discharge Pressure - PSI					Discharge Pressure - PSI					Discharge Pressure - PSI					
	20	30	40	50	Max. Shut off (PSI)	20	30	40	50	60	Max. Shut off (PSI)	30	40	50	60	Max. Shut off (PSI)	30	40	50	60	Max. Shut off (PSI)	30	40	50	60	Max. Shut off (PSI)
	Gallons per minute					Gallons per minute					Gallons per minute					Gallons per minute					Gallons per minute					
5	17.5	16.5	10.2	5.0	63	11.5	11.3	11.0	7.7	4.8	83	21.3	18.3	12.5	6.6	70	24.8	24.4	16.6	9.9	74	26.6	26.3	25.0	15.6	80
10	15.7	14.4	9.2	4.3	61	10.3	10.0	9.6	7.0	4.2	81	18.8	17.3	11.3	5.0	68	22.9	22.2	15.8	8.6	72	24.7	24.3	22.6	13.9	77
15	13.7	12.5	8.0	3.6	59	8.8	8.6	8.3	6.3	3.7	79	16.4	15.5	9.6	3.7	66	19.8	19.5	13.8	6.9	70	21.6	21.5	20.4	12.9	75
20	11.5	10.4	7.1	2.3	57	7.0	7.0	6.8	5.8	3.2	76	13.6	13.2	8.3	2.0	63	16.6	16.6	12.2	5.6	67	18.1	18.0	17.6	12.0	73
25	8.7	8.6	6.2	1.3	54	5.3	5.2	5.2	5.0	2.8	73	10.0	9.9	6.4	1.0	59	12.5	12.4	10.4	3.6	65	14.0	14.0	14.0	10.1	71

DIMENSIONS AND WEIGHTS

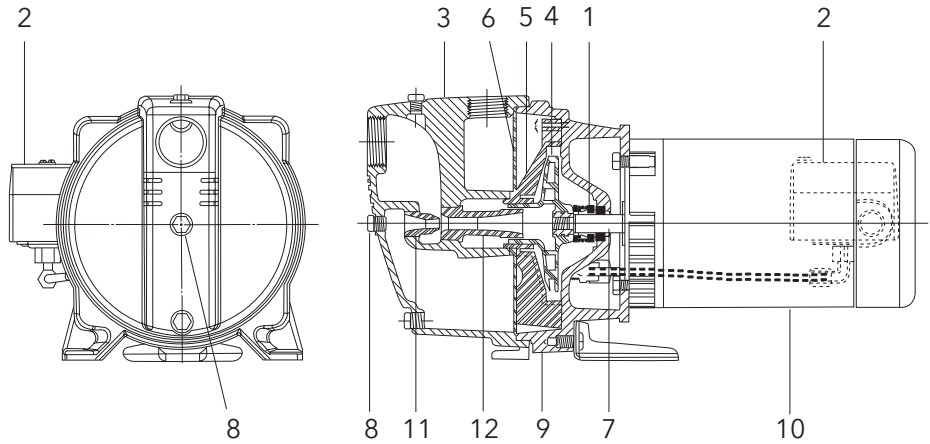
Model	J5S	J5SH	J7S	J10S	J15S
Wt. (lbs.)	43	43	47	50	60
Length	17¼	17¼	18¼	18¾	19¼
Width	9⅞				
Height	8¾				
HP	½	½	¾	1	1½
"L" Max.	8½	8½	9½	10	10½



(All dimensions are in inches and weights in lbs. Do not use for construction purposes.)

COMPONENTS

Item No.	Description
1	Mechanical seal
2	Pressure switch
3	Casing
4	Impeller
5	Diffuser (Guidevane)
6	Diaphragm
7	Stainless steel shaft
8	Nozzle clean-out plug
9	Motor adapter
10	Motor
11	Nozzle
12	Venturi (diffuser)



xylem
Let's Solve Water

Xylem Inc.
Phone: (866) 325-4210
Fax: (888) 322-5877
www.xylem.com/goulds

Goulds is a registered trademark of Goulds Pumps, Inc. and is used under license.
© 2020 Xylem Inc. BJS+ R4 May 2020