

Well Water & Pressure Booster Expansion Tanks

FXA Series

Wessels FXA series ASME
Replaceable Hydropneumatic
Bladder System with
Smart Tank Add-On for Booster
Expansion Pressure Control

APPLICATIONS

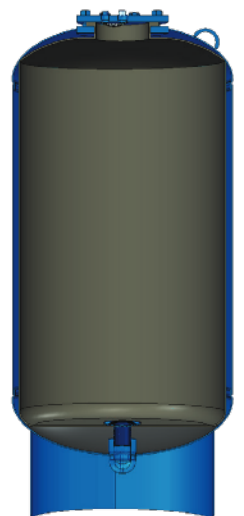
Open-loop
Potable
Pressure Booster
Well Water
Water



Wessels patented FXA Tanks are ASME replaceable bladder type pre-charged hydro-pneumatic tanks for commercial and industrial well and water systems, booster systems, or other non-heated potable water applications. They are designed to deliver water under pressure between pump cycles to provide sufficient flow to meet demands. The water is contained in a butyl bladder. All FXA tanks can be installed vertically or horizontally.

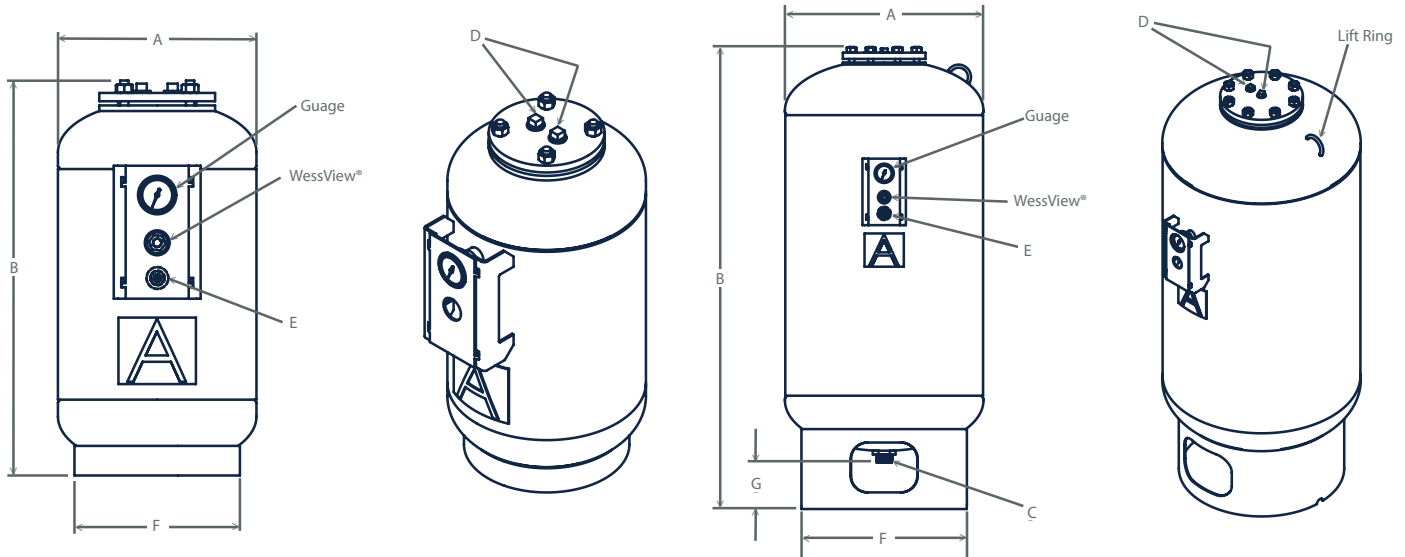
NEXT LEVEL INTELLIGENCE

- Pressure gauge integrated
- WessView® bladder integrity monitor included
- WessGuard® proximity sensor port adaptable
- Easy-access air valve
- Tamper-resistant secure guard mount
- Designed and fabricated in accordance with ASME Boiler & Pressure vessel code
- Products comply with NSF/ANSI Standard 61
- Replaceable heavy-duty butyl bladder (other materials available)
- Standard design pressure is 125 psi (8.6 bar)
- Available in carbon steel, 304 or 316L stainless steel
- Factory pre-charged and field adjustable
- Never waterlogs
- Separation of water and air
- Full flow design compatible
- Higher pressure ratings available
- Wessels Company Patented Design US 8,633,825 B2



SINCE 1908
wessels
company

FXA



FXA-85 thru FXA-800L

MODEL	DIMENSIONS (in.)							MAX WORKING PRESSURE	SHIPPING WEIGHT (lbs)
	A	B	SYSTEM CONNECTION		CHARGING VALVE	F	G		
			C	D	E				
FXA-35	12	23 1/2	-	3/4 NPT	0.302" - 32NC	10	-	125	40
FXA-50	14	24	-	3/4 NPT	0.302" - 32NC	10	-	125	50
FXA-85	16	37	1 NPT	3/4 NPT	0.302" - 32NC	12	5 1/2	125	90
FXA-130	20	37	1 NPT	3/4 NPT	0.302" - 32NC	16	5 1/2	125	125
FXA-200	24	43	1 1/2 NPT	3/4 NPT	0.302" - 32NC	20	5 1/4	125	210
FXA-300	24	55	1 1/2 NPT	3/4 NPT	0.302" - 32NC	20	5 1/4	125	225
FXA-400	30	49	1 1/2 NPT	3/4 NPT	0.302" - 32NC	24	5 1/4	125	300
FXA-500	30	57	2 NPT	3/4 NPT	0.302" - 32NC	24	5 1/4	125	335
FXA-600	30	65	2 NPT	3/4 NPT	0.302" - 32NC	24	5 1/4	125	360
FXA-800L	32	76	2 NPT	3/4 NPT	0.302" - 32NC	28	5 1/4	125	475

Note:

- Tanks are factory pre-charged at 40 psi and field adjustable.
- California code-sight glass is available upon request.
- Both top and bottom connections (C and D) access the bladder.
- Available with mounting clips.

TYPICAL SPECIFICATION

Furnish and install, as shown on plans, a _____ gallon _____" diameter X _____" (high) pre-charged steel hydropneumatic pressure tank with heavy-duty butyl bladder. The tank shall have multiple water-side connections to promote full-flow to eliminate stagnate water within the tank, a 0.302"-32 charging valve connection (standard tire valve) to facilitate the on-site charging of the tank to meet system requirements, a pressure gauge, and WessView® bladder integrity monitor. The tank must contain a port for WessGuard® proximity sensor monitor. The tank must be constructed in accordance with most recent addendum of Section VIII Division 1 of the ASME Boiler and Pressure Vessel Code, and rated for 125 psig.

Each tank shall be Wessels model number FXA-_____ or approved equal.

UPGRADE TO SMART WESSGUARD® TANK PROTECTION

Wessels Type FXA-WG Smart Tanks are ASME removable bladder type pre-charged, hydropneumatic expansion tanks, with patented WessGuard® bladder monitor. They are designed to absorb the expansion forces and control the pressure in heating/cooling systems and come equipped with a uniquely designed capacitive sensor that is sensitive to any movement inside the tank.

The system's expanded water (fully compatible with water/glycol mixtures) is contained in a heavy-duty bladder preventing tank corrosion and waterlogging problems. If the bladder extends beyond the normal movement, WessGuard® monitor will activate an audible LED alarm and energy management system to notify maintenance staff of a potential system issue.



SINCE 1908
wessels
company

101 Tank Street Greenwood, IN 46143
P: 317-888-9800 F: 317-865-7411
www.westank.com