

# BERKELEY® SSHM-2 Series

Multi-stage



The SSHM-2 multi-stage series of sprinkler pumps delivers high-performance without priming problems and delays.

The SSHM-2 multi-stage series is designed for minimal electrical consumption and quiet operation from the professional-grade motor. The SSHM-2 multi-stage series offers first-in-class priming capabilities of up to 15 foot lifts!

## APPLICATIONS

Residential and commercial turf irrigation

Residential water systems

Shower and washing systems

Water transfer

Heating and air conditioning systems

Water features and fountains

## SPECIFICATIONS

### Motor Bracket and Integral Pump Base:

Close-grained cast iron, 1-1/2" NPT inlet connection, stable heavy-duty design for rigid pipe and solid base mountings

**Discharge:** Close-grained cast iron, 1-1/4" NPT discharge connection, with easy-access drain port for end of season draining and winterization

**Impellers and Diffusers:** Noryl® precision-molded extra-smooth ports to maximize efficiency and performance

**Outer Shell:** Polished 304 stainless steel

**Shaft:** 303 stainless steel

**Priming Valve:** Special brass priming valve for trouble-free operation during the initial pump priming

**Mechanical Seal:** High-pressure seal, carbon-ceramic seal faces, Buna-N elastomers

**Heavy-Duty Motor:** 2 HP, single-phase, 3450 RPM, 230-volt, high-service factor, capacitor-start/capacitor-run, open drip-proof motor, rated for continuous-duty operation. 230/460 TEFC available

**Maximum Inlet Pressure:** 20 PSI

**Maximum Discharge Pressure:** 155 PSI

**Maximum Operating Temperature:** 120°F (49°C)

**Maximum Suction Lift:** 15 feet

**Number of Stages:** 3 or 4

## ORDERING INFORMATION

Catalog Number	Stages	HP	Pipe Tapping Sizes		Motor Voltage	Approx. Wt. Lbs.
			Suction	Discharge		
B86073	3	2	1-1/2" NPT	1-1/4" NPT	230 1 $\phi$	95
B86074	3	2	1-1/2" NPT	1-1/4" NPT	230/460 TEFC	95
B82456-01	4	2	1-1/2" NPT	1-1/4" NPT	230 1 $\phi$	95
B82639	4	2	1-1/2" NPT	1-1/4" NPT	230/460 TEFC	95

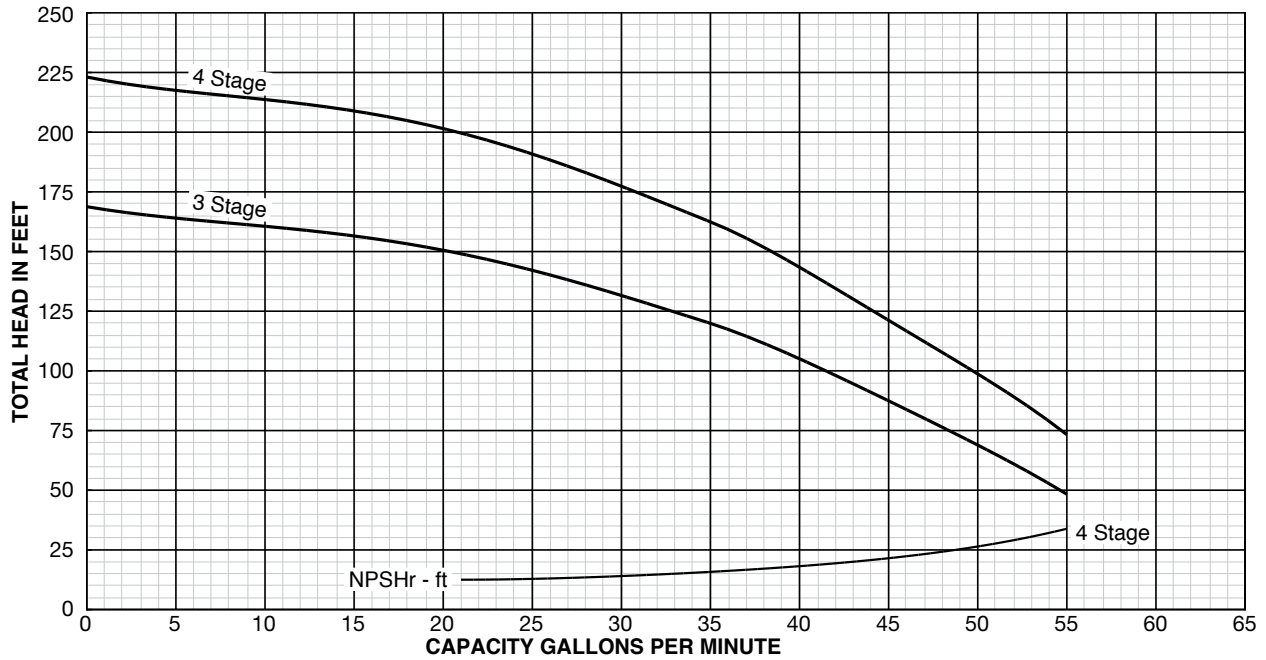
Pentair trademarks and logos are owned by Pentair plc or its affiliates. All other third party registered and unregistered trademarks and logos are the property of their respective owners.

# BERKELEY® SSHM-2 Series

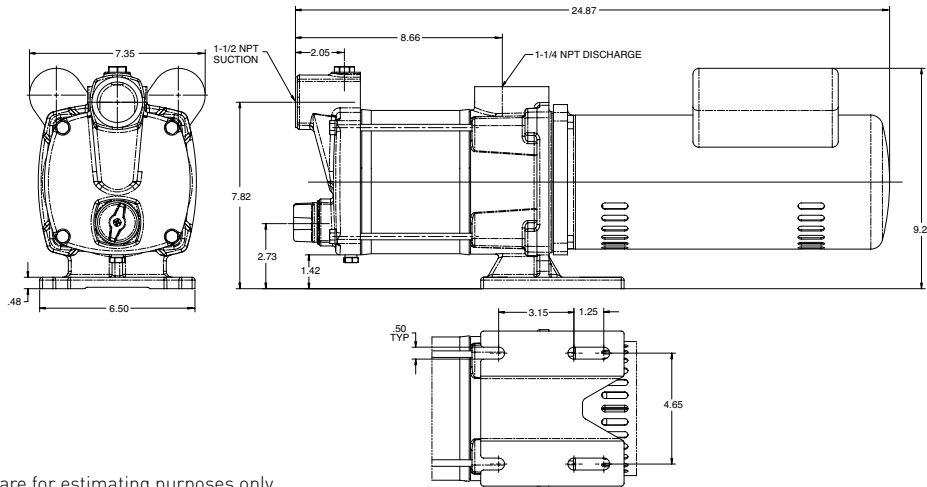
Multi-stage

## PUMP PERFORMANCE

NOMINAL RPM: 3450, BASED ON FRESH WATER @ 68°F, MAXIMUM WORKING PRESSURE: 175 PSI



## OUTLINE DIMENSIONS



Dimensions (in inches) are for estimating purposes only.



US: 293 WRIGHT STREET, DELAVAN, WI 53115 WWW.BERKELEYPUMPS.COM PH: 888-782-7483 ORDERS FAX: 800-426-9446  
 CANADA: 490 PINEBUSH ROAD, UNIT 4, CAMBRIDGE, ONTARIO N1T 0A5 PH: 800-363-7867 ORDERS FAX: 888-606-5484  
 Because we are continuously improving our products and services, Pentair reserves the right to change specifications without prior notice.