

MYERS® MVPH Series Vertical Multi-Stage Deep Well Jet Pumps



The MVPH Series Vertical Jet Pumps are the industry standard deep well jet pumps for over-the-well “bolt-on” installations.

The MVPH Series Jet Pumps include the pre-plumbed external automatic regulator, pressure gauge, pressure switch, and a complete line of casing adapters for 4" double pipe, 2" or 3" single pipe jet packages.

APPLICATIONS

- Supply water systems and sprinkling systems... for homes, farms and cottages.

SPECIFICATIONS

- Body – Rugged cast iron
- Pump and Motor Shaft – 416 Stainless Steel
- Impellers – Noryl®
- Diffuser – Close-grained cast iron

FEATURES

- Automatic Pressure Regulator** - Faster-acting and quieter, design eliminates “hunting” for correct drive pressure. New improved stem and guide are precisely molded to assure efficient, trouble-free performance on all deep wells.

Quality Construction - Precision-machined, close-grained cast iron pump body and base are specially treated to resist corrosion.

Noryl® Impellers - Precision molded for perfect balance, and ultra-smooth for highest performance and efficiency.

Pressure Switch - High quality. Differential and cut-in/cut-out pressure settings are adjustable.

Motor Windings - Superior insulation materials protect against excessive moisture and contaminants to ensure prolonged motor life.

Mechanical Shaft Seal - Precision lapped and highly polished carbon-ceramic, stainless steel construction. Internal design guarantees continuous water lubrication for maximum protection.

Dustproof Cover - All electrical components are protected from dirt, dust and insects by a dustproof canopy. Ventilating air cannot contaminate vital switching components. This eliminates the most common cause of motor failure.

Balanced Rotor - Rotor is die cast under high pressures for uniform performance and greater efficiency; dynamically balanced.

Heavy-duty Ball Bearings - Permanently lubricated sealed bearings are extensively tested to ensure extended life and smooth, quiet operation.

Pump and Motor Shaft - One piece threaded shaft for positive impeller drive and alignment. Shaft is stainless steel for maximum corrosion resistance.

Noryl® is a registered trademark of General Electric Co.
All other brand or product names are trademarks or registered marks of Pentair Ltd.

MYERS® MVPH Series Vertical Multi-Stage Deep Well Jet Pumps

ORDERING INFORMATION

| Catalog Number | HP | Description | Max. Press. Reg. Setting | Pipe Tapping Sizes | | | Motor Voltage | Approx. Wt. (Lbs.) |
|----------------|-------|-------------------|--------------------------|--------------------|--------|--------|---------------|--------------------|
| | | | | Suct. | Drive | Disch. | | |
| MVPH-100 | 1 | Base Mounted Pump | 60 PSI | 1-1/4" | 1-1/4" | 1" | 115/230 | 73 |
| MVPH-150 | 1-1/2 | Base Mounted Pump | 85 PSI | 1-1/4" | 1-1/4" | 1" | 230 | 120 |
| MVPH-200 | 2 | Base Mounted Pump | 95 PSI | 1-1/4" | 1-1/4" | 1" | 230 | 125 |

ADAPTER FLANGE

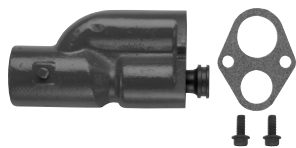
| Catalog Number | Description | Used With |
|----------------|-----------------|----------------------------------|
| J216-27 | 1-1/4" x 1-1/4" | 4" double pipe 1, 1-1/2 and 2 HP |

Order pump from ordering information table above. A Jet Package (see table below) should be ordered with every Series MVPH Pump. All installations require an appropriate size adapter flange or casing adapter if bolt-on feature is desired.

JET PACKAGES – A JET PACKAGE SHOULD BE ORDERED WITH EVERY CONVERTIBLE OR DEEP WELL JET PUMP.

| Package Number | Description |
|--|---|
| PKG 1-23SD | For shallow well and deep well applications and for all 4" double pipe applications |
| PKG 2A-23SD | For shallow well applications and for all 4" double pipe applications with three (3) venturis |
| PKG 1-12AP* and PKG 1-12APB* | Jet with built-in check valve; for all 2" single pipe deep well applications |
| PKG 1-18AP* and PKG 1-8APB* | Jet with built-in check valve; for all 2" single pipe deep well applications |
| PKG 1-23CP*, PKG 1-22CP*, PKG 1-17CP*, PKG 1-16CP* | Jet with built-in check valve; for all 3" single pipe deep well applications |

*Suction Tapping: 1-1/4" Male and 1" Female



PKG 1- 23SD
Shallow Well and Deep Well



PKG 1- AP
2" Single Pipe Cast Iron



PKG 2A- 23SD – Double Pipe

or
PKG 1- APB
2" Single Pipe Brass

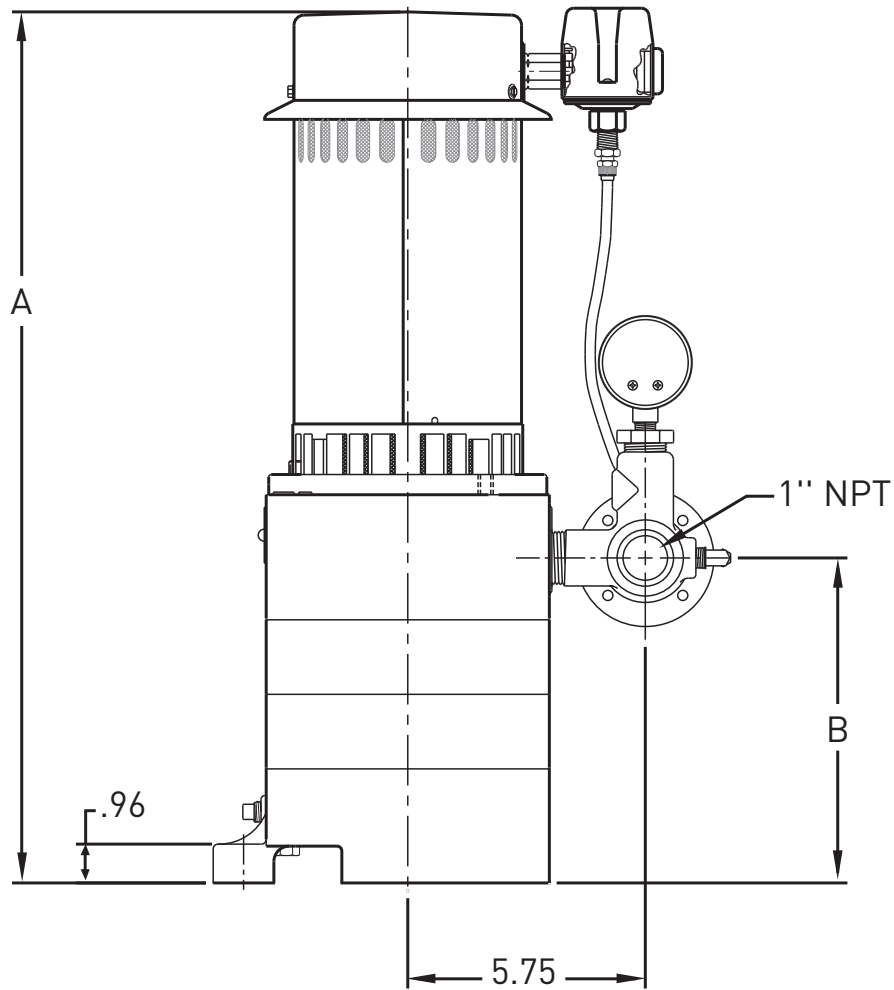
or
PKG 1- CP
3" Single Pipe



PKG 2A – Accessory Package

MYERS® MVPH Series Vertical Multi-Stage Deep Well Jet Pumps

OUTLINE DIMENSIONS



| Cat. No. | A | B |
|----------|----------|-------|
| MVPH-100 | 18-3/8 | 5-5/8 |
| MVPH-150 | 20-7/16 | 7-1/2 |
| MVPH-200 | 20-15/16 | 7-1/2 |

Dimensions (in inches)
are for estimating purposes only.

MYERS® MVPH Series Vertical Multi-Stage Deep Well Jet Pumps

PUMP PERFORMANCE - DEEP WELL

CAPACITY IN GALLONS PER MINUTE

| Cat. No. | HP | Jet No. | Uses Venturi | Uses Nozzle | Pumping Depth in Feet | | | | | | | | | | | | | | | | | Max. Pump Shut Off Press. (PSI) | | | |
|--------------------------------|-------|---------|--------------|-------------|-----------------------|------|------|------|------|------|------|------|------|------|------|------|------|------|------|------|------|---------------------------------|------|------|-------------------|
| | | | | | 30' | 40' | 50' | 60' | 70' | 80' | 90' | 100' | 110' | 120' | 130' | 140' | 180' | 200' | 220' | 240' | 260' | 280' | 300' | 320' | Jet at Min. Depth |
| 4" DOUBLE PIPE – 40 PSI | | | | | | | | | | | | | | | | | | | | | | | | | |
| MVPH-100 | 1 | 23SD | J32P-24 | J34P-42 | 12.1 | 11.7 | 11.6 | 11.1 | 10.2 | 9.2 | 7.8 | 6.4 | 5.0 | 4.0 | 3.0 | | | | | | | | 120 | 76 | |
| | | 15SD | J32P-18 | J34P-42 | 5.5 | 5.5 | 5.5 | 5.4 | 5.3 | 5.3 | 5.2 | 5.1 | 5.1 | 5.0 | 4.8 | 4.5 | 3.3 | 2.7 | 2.0 | 1.3 | 1.0 | | | 200 | 97 |
| MVPH-150 | 1-1/2 | 23SD | J32P-24 | J34P-42 | 12.2 | 12.2 | 12.2 | 12.2 | 11.7 | 11.3 | 10.7 | 9.9 | 9.0 | 8.3 | 7.0 | 4.0 | 1.3 | | | | | | 164 | 95 | |
| | | 15SD | J32P-18 | J34P-42 | 5.5 | 5.5 | 5.5 | 5.5 | 5.5 | 5.5 | 5.3 | 5.3 | 5.2 | 5.1 | 5.1 | 5.0 | 4.8 | 4.7 | 4.5 | 4.3 | 4.0 | 3.3 | 2.7 | 314 | 172 |
| MVPH-200 | 2 | 23SD | J32P-24 | J34P-42 | 12.2 | 12.2 | 12.2 | 12.2 | 11.8 | 11.3 | 11.2 | 11.1 | 11.0 | 10.0 | 8.7 | 7.0 | 4.0 | 2.0 | | | | | 195 | 110 | |
| | | 23SD | J32P-18 | J34P-42 | 5.5 | 5.5 | 5.5 | 5.5 | 5.5 | 5.5 | 5.3 | 5.3 | 5.2 | 5.1 | 5.1 | 5.0 | 5.0 | 4.8 | 4.8 | 4.5 | 4.3 | 4.0 | 3.3 | 2.7 | 314 |
| 2" SINGLE PIPE – 40 PSI | | | | | | | | | | | | | | | | | | | | | | | | | |
| MVPH-100 | 1 | 12AP | J32P-24 | J34P-42 | 12.1 | 11.3 | 11.2 | 10.0 | 8.8 | 7.6 | 6.5 | 5.6 | 3.3 | 1.8 | | | | | | | | | 118 | 80 | |
| | | 8AP | J32P-18 | J34P-42 | 5.5 | 5.5 | 6.3 | 5.3 | 5.2 | 5.1 | 5.0 | 5.0 | 5.0 | 5.0 | 4.5 | 4.2 | 2.0 | | | | | | | 198 | 126 |
| MVPH-150 | 1-1/2 | 12AP | J32P-24 | J34P-42 | 12.2 | 12.0 | 12.0 | 12.0 | 11.5 | 11.2 | 9.7 | 8.3 | 6.8 | 5.5 | 4.2 | 3.3 | | | | | | | 162 | 110 | |
| | | 8AP | J32P-18 | J34P-42 | 5.5 | 5.5 | 5.5 | 5.5 | 5.5 | 5.3 | 5.2 | 5.1 | 5.0 | 5.0 | 5.0 | 4.8 | 4.3 | 3.5 | 2.7 | 1.7 | | | 266 | 158 | |
| MVPH-200 | 2 | 12AP | J32P-24 | J34P-42 | 12.2 | 12.0 | 12.0 | 12.0 | 11.7 | 11.2 | 11.0 | 10.3 | 8.3 | 7.5 | 6.3 | 5.3 | | | | | | | 193 | 139 | |
| | | 8AP | J32P-18 | J34P-42 | 5.5 | 5.5 | 5.5 | 5.5 | 5.5 | 5.3 | 5.2 | 5.2 | 5.1 | 5.1 | 5.0 | 4.8 | 4.7 | 4.3 | 3.7 | 3.2 | 2.5 | | | 312 | 192 |
| 3" SINGLE PIPE – 40 PSI | | | | | | | | | | | | | | | | | | | | | | | | | |
| MVPH-100 | 1 | 23CP | J32P-24 | J34P-42 | 12.1 | 11.7 | 11.6 | 11.1 | 10.2 | 9.2 | 7.8 | 6.4 | 5.0 | 4.0 | 3.0 | | | | | | | | 120 | 76 | |
| | | 16CP | J32P-18 | J34P-42 | 5.5 | 5.5 | 5.5 | 5.4 | 5.3 | 5.3 | 5.2 | 5.1 | 5.1 | 5.0 | 4.8 | 4.5 | 3.3 | 2.7 | 2.0 | 1.3 | 1.0 | | | 200 | 97 |
| MVPH-150 | 1-1/2 | 23CP | J32P-24 | J34P-42 | 12.2 | 12.2 | 12.2 | 12.2 | 11.7 | 11.3 | 10.7 | 9.9 | 9.0 | 8.3 | 7.0 | 4.0 | 1.3 | | | | | | 164 | 95 | |
| | | 22CP | J32P-20 | J34P-42 | 7.7 | 7.7 | 7.7 | 7.5 | 7.5 | 7.4 | 7.3 | 7.3 | 7.2 | 7.2 | 7.0 | 7.0 | 4.3 | 4.0 | 3.2 | 2.2 | | | 210 | 110 | |
| MVPH-200 | 2 | 16CP | J32P-18 | J34P-42 | 5.5 | 5.5 | 5.5 | 5.5 | 5.5 | 5.5 | 5.3 | 5.2 | 5.2 | 5.1 | 5.0 | 5.0 | 4.9 | 4.7 | 4.0 | 3.8 | 3.0 | 2.3 | 1.7 | 2668 | 132 |
| | | 23CP | J32P-24 | J34P-42 | 12.2 | 12.2 | 12.2 | 12.2 | 11.8 | 11.3 | 11.2 | 11.1 | 11.0 | 10.0 | 8.7 | 7.0 | 4.0 | 2.0 | | | | | 1195 | 110 | |
| MVPH-200 | 2 | 22CP | J32P-20 | J34P-42 | 7.7 | 7.7 | 7.7 | 7.5 | 7.5 | 7.4 | 7.3 | 7.3 | 7.2 | 7.2 | 7.0 | 7.0 | 5.3 | 5.0 | 4.7 | 4.0 | 3.0 | 2.2 | | 250 | 128 |
| | | 16CP | J32P-18 | J34P-42 | 5.5 | 5.5 | 5.5 | 5.5 | 5.5 | 5.5 | 5.3 | 5.3 | 5.2 | 5.1 | 5.1 | 5.0 | 5.0 | 4.8 | 4.7 | 4.5 | 4.3 | 4.0 | 3.3 | 2.7 | 314 |

Tested and rated in accordance with Water Systems Council Standards.

NOTE: Pumps installed with a PRO-Source® tank require a 100 PSI relief valve. Pumps installed with a conventional tank require a 75 PSI relief valve. Relief valve must be capable of relieving entire flow of pump at relief pressure.

