

Submersible Dewatering Pumps

DISCHARGE CASE	356T6 Aluminum, Hard Anodized
DIFFUSER	356T6 Aluminum, Hard Anodized
SUCTION CASE	356T6 Aluminum, Hard Anodized, with wear resistant polyurethane liner
FRAME & OUTER CASE	6063T6 Aluminum, Hard Anodized
WEAR PLATE	Polyurethane
PUMP SHAFT	Stainless Steel
IMPELLER	Hardened 17-4 Stainless Steel
HARDWARE	Stainless Steel
O-RINGS	Buna-N
SEAL <i>Design</i>	Tandem mechanical, Oil lubricated
INBOARD <i>Material</i>	Rotating Face - Carbon Stationary Face - Ceramic Elastomer - Buna-N Hardware - 300 Series Stainless
OUTBOARD <i>Material</i>	Rotating Face - Silicon Carbide Stationary Face - Silicon Carbide Elastomer - Viton® Hardware - 300 Series Stainless
STRAINER	300 series stainless steel, .25" (6.35mm) Holes
UPPER BEARING:	
<i>Design</i>	Single Row, Shielded, Ball
<i>Lubrication</i>	Prelubricated high-temperature grease
<i>Load</i>	Radial
LOWER BEARING:	
<i>Design</i>	Double Row, Shielded, Ball Angular Contact
<i>Lubrication</i>	Prelubricated high-temperature grease
<i>Load</i>	Radial & Thrust
CORD ENTRY	50Ft. (15m) with Strain Relief and Pressure Grommet for Sealing
MOTOR: <i>Design</i>	NEMA Design B - Three Phase, Squirrel Cage Induction
<i>Insulation</i>	Class F
CONTROL: <i>Three Phase</i>	Watertight, NEMA 4. Provides with Circuit Breaker for overload and short circuit protection
OPTIONAL EQUIPMENT	Discharge Adapters kits, Viton® Seals. See accessory section for additional information.

50HZ DATA AVAILABLE UPON REQUEST

WARRANTY INVALID IF CORRECT PROSSER CONTROL IS NOT USED AT ALL TIMES.

WEIGHT

Pump Only - 343 lbs./ 155.6 kg.
Control - 12 lbs./ 5.4 kg.
Cord - 1.33 lbs/Ft / 2 kg/m

SHIPPING WT./STD. UNIT

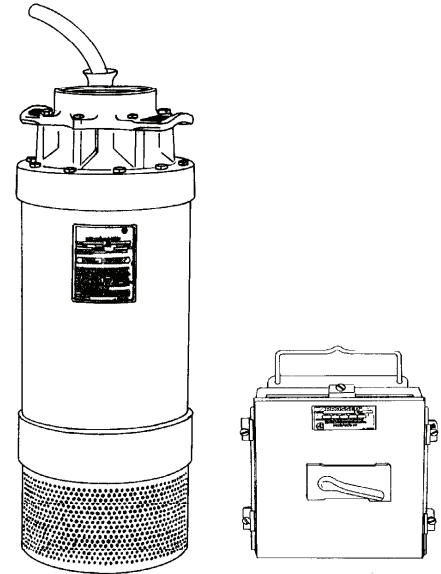
Pump, Cord & Control
4/4 Cord 468 lbs./ 212.3 kg.
Both 9.4 Cu. Ft.



ASSOCIATION OF
EQUIPMENT
MANUFACTURERS



CSA 108
LR16567



**Series: 9-85000, HV & HH
50HP, 3Ph**

DESCRIPTION:

Prosser's small but powerful Portable Electric Submersible Pumps are compact, lightweight units. They are quiet and will operate in any position. No priming, suction hose or foot valves are required. Prosser pumps can be easily staged for higher head applications. The patented outboard shaft seal on this pump is a specially designed silicon carbide abrasive resistant type "S" shaft seal, which offers greater service life. A special abrasion resistant suction case lining and wear plate is a standard feature that protects the pump against wear from abrasive laden water.

The unique in-line design assures a cool running motor with heat transferred to the pumped liquid. Prosser pumps can operate continuously in 104°F (40°C) temperature water and within a range of 5 to 9PH.

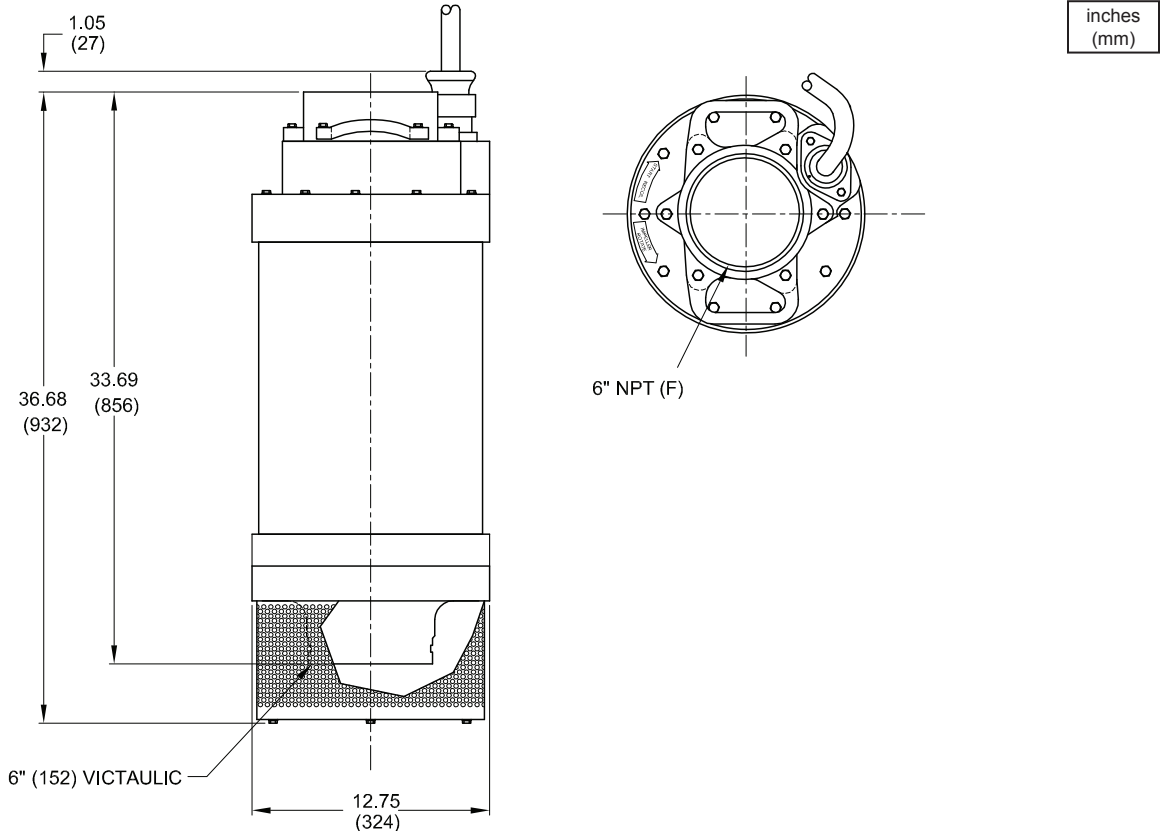
Before pumping fluids other than water consult the factory, giving fluid, fluid temperature, specific gravity, viscosity, capacity in USGPM and total head and/or pressure requirements, including friction loss through discharge line, fittings, valves, etc.



WARNING:

CANCER AND REPRODUCTIVE HARM -
WWW.P65WARNINGS.CA.GOV

Submersible Dewatering Pumps



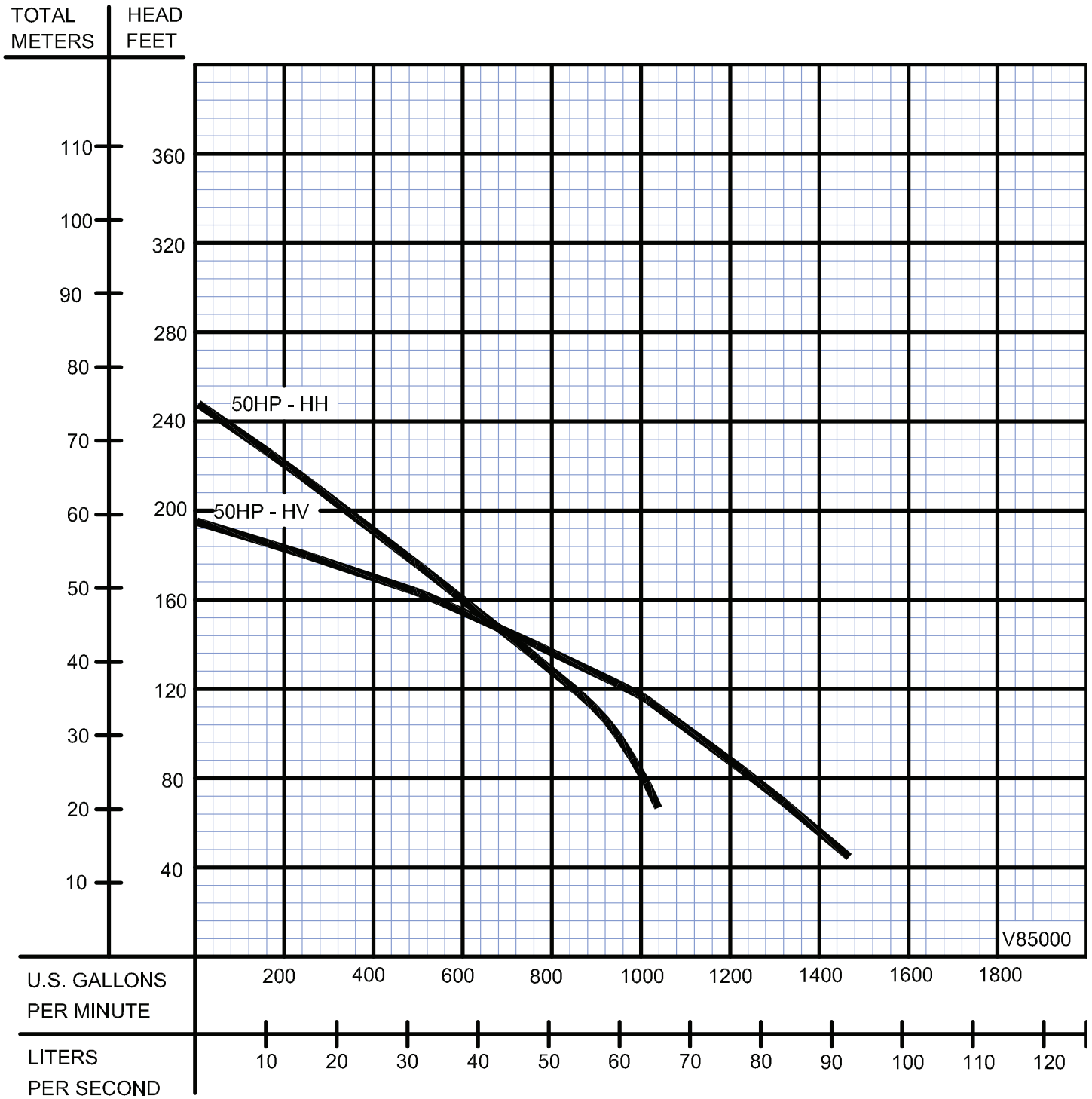
PART NO.	HP	VOLT/PH	Hz	RPM (Nom.)	NEMA START CODE	FULL LOAD AMPS	LOCKED ROTOR AMPS	CORD SIZE	CORD TYPE	MAX. CORD LENGTH
HH SERIES PUMP w/ WATERTIGHT CONTROL										
9-85034-24	50	460/3	60	3450	G	56.0	360.0	4/4	SOW	800Ft./246m
9-85035-24	50	575/3	60	3450	G	44.6	288.0	4/4	SOW	800Ft./246m
HV SERIES PUMP w/ WATERTIGHT CONTROL										
9-85034-04	50	460/3	60	3450	G	56.0	360.0	4/4	SOW	800Ft./246m
9-85035-04	50	575/3	60	3450	G	44.6	288.0	4/4	SOW	800Ft./246m

Pump rated for operation at ± 10% voltage at motor.

IMPORTANT !

- 1.) PUMP MAY BE OPERATED "DRY" FOR EXTENDED PERIODS WITHOUT DAMAGE TO MOTOR AND/OR SEALS.
- 2.) INSTALLATIONS SUCH AS DECORATIVE FOUNTAINS OR WATER FEATURES PROVIDED FOR VISUAL ENJOYMENT MUST BE INSTALLED IN ACCORDANCE WITH THE NATIONAL ELECTRIC CODE ANSI/NFPA 70 AND/OR THE AUTHORITY HAVING JURISDICTION. THIS PUMP IS NOT INTENDED FOR USE IN SWIMMING POOLS, RECREATIONAL WATER PARKS, OR INSTALLATIONS IN WHICH HUMAN CONTACT WITH PUMPED MEDIA IS A COMMON OCCURRENCE.

Submersible Dewatering Pumps



V85000

Testing is performed with water, specific gravity 1.0 @ 68° F @ (20°C), other fluids may vary performance

Submersible Dewatering Pumps

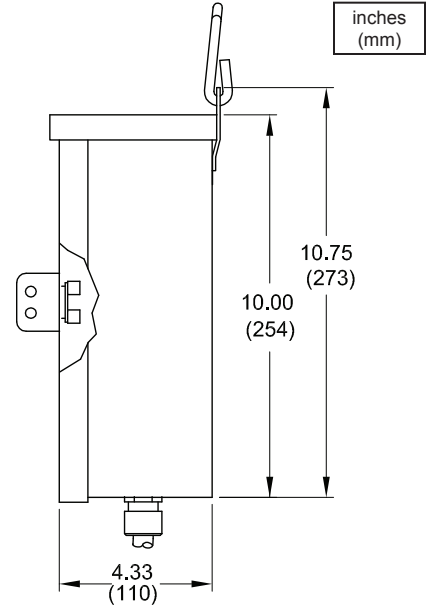
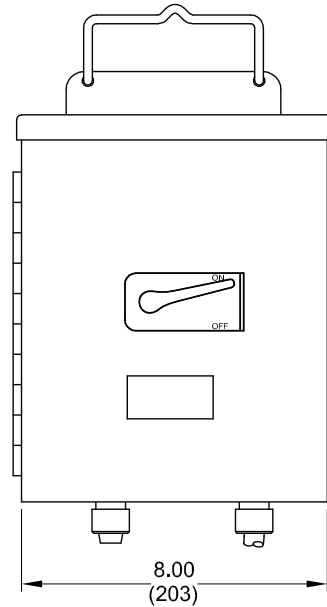
CONTROL NEMA 4, WATERTIGHT

Pump P/N:

9-85034-24
9-85035-24
9-85034-04
9-85035-04

Control P/N

9-850834-04
9-850835-04
9-850834-04
9-850835-04



inches
(mm)